

# KOHLER® Faucets

## Bathroom Sink Gooseneck Spout K-13770

### Features

- Brass construction.
- 5" (127 mm) gooseneck spout.
- Standard aerator.
- Lower flow aerator options available (see Kohler Price Book).
- Flange.
- External NPT connection.
- 2.2 gal/min (8.3 l/min) maximum flow rate [max at 60 psi (4.14 bar)].

### Optional Products/Accessories

1160594 .35 gpm Aerator, Large



### Codes/Standards

ASME A112.18.1/CSA B125.1

NSF/ANSI 61

All applicable US Federal and State material regulations

DOE - Energy Policy Act 1992

### KOHLER® One-Year Limited Warranty

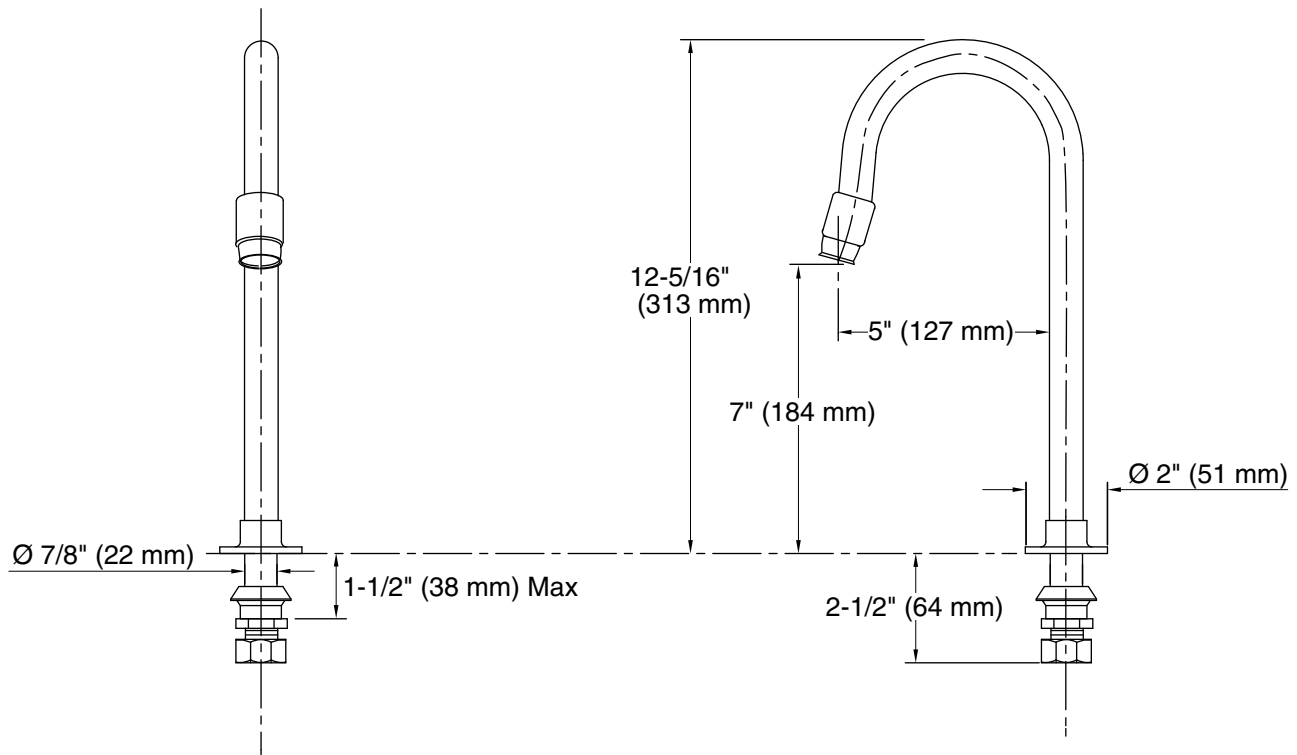
See website for detailed warranty information.

### Available Colors/Finishes

*Color tiles intended for reference only.*

Color	Code	Description
-------	------	-------------

	CP	Polished Chrome
--	----	-----------------



### Technical Information

All product dimensions are nominal.

#### Faucet:

Flow rate: 2.2 gal/min (8.3 l/min)

Pressure: 60 psi (4.1 bar)

#### Spout:

Spout reach: 5" (127 mm)

### Notes

Install this product according to the installation guide.